

TECHNICAL INFORMATION

PrepArm

DST 104, 105, 106, 107

PrepArm is a ventilating product for localized air extraction in the preparation room. It is engineered for precise "spot extraction" with variable air volume control.

The arm is designed with state-of-the-art multi-joint maneuverability that allows the embalmer almost unlimited positioning.

FEATURES AND SPECIFICATIONS

- specifically for localized air extraction
- prevents noxious vapors from entering the general airstream of the embalming room.
- mounts on ceiling or wall
- single or double configurations
- transparent hood with low optical distortion
- LED lighting mounted in hood

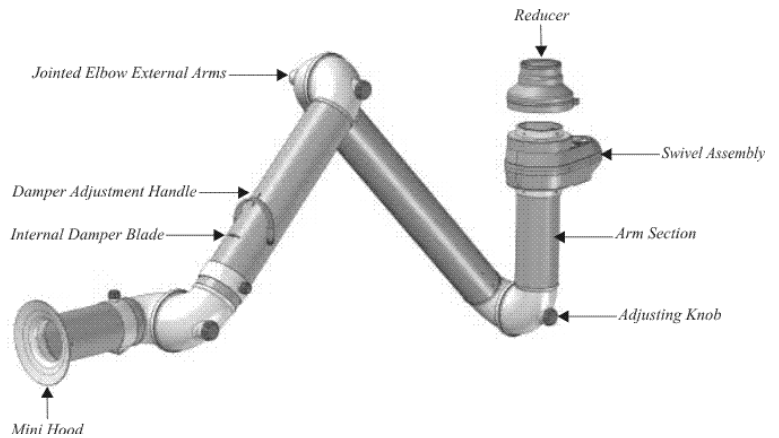


TECHNICAL INFORMATION

PrepArm Components and Materials

DST 104, 105, 106, 107

PrepArm is a ventilating product for localized air extraction in the preparation room.



*Supplied with transparent hood with LED Lighting strip.

COMPONENTS AND MATERIAL

- **ARM SECTIONS** aluminum, HM white, with an excellent corrosion resistance against most chemical agents
- **SWIVEL ASSEMBLY** hi-grade cast aluminum with 360 degree rotation
- **JOINTED ELBOWS** polypropylene with glass fiber reinforcements and knurled adjusting knobs on the friction joints are supported by ball bearings; certain sizes incorporate an internal spring support
- **EXTERNAL RINGS** polypropylene with glass fiber reinforcements
- **AXIAL LOCKING RINGS** polypropylene with glass fiber reinforcements
- **ADJUSTING KNOBS** polypropylene with glass fiber reinforcements; screws into AISI 304 stainless steel
- **THREADED SHAFT INSIDE JOINTS** AISI 304 stainless steel
- **DAMPER BLADE** thermo plastic elastomer
- **DAMPER ADJUSTMENT HANDLE** aluminum anodized 10 microns
- **INTERNAL SPRINGS** stainless steel
- **SWIVEL BEARINGS** polypropylene with glass fiber reinforcements
- **SWIVEL** aluminum
- **RIVETS** stainless steel

PAGE 2 OF 4

©2010 DST, Ltd. Rev. 5-10

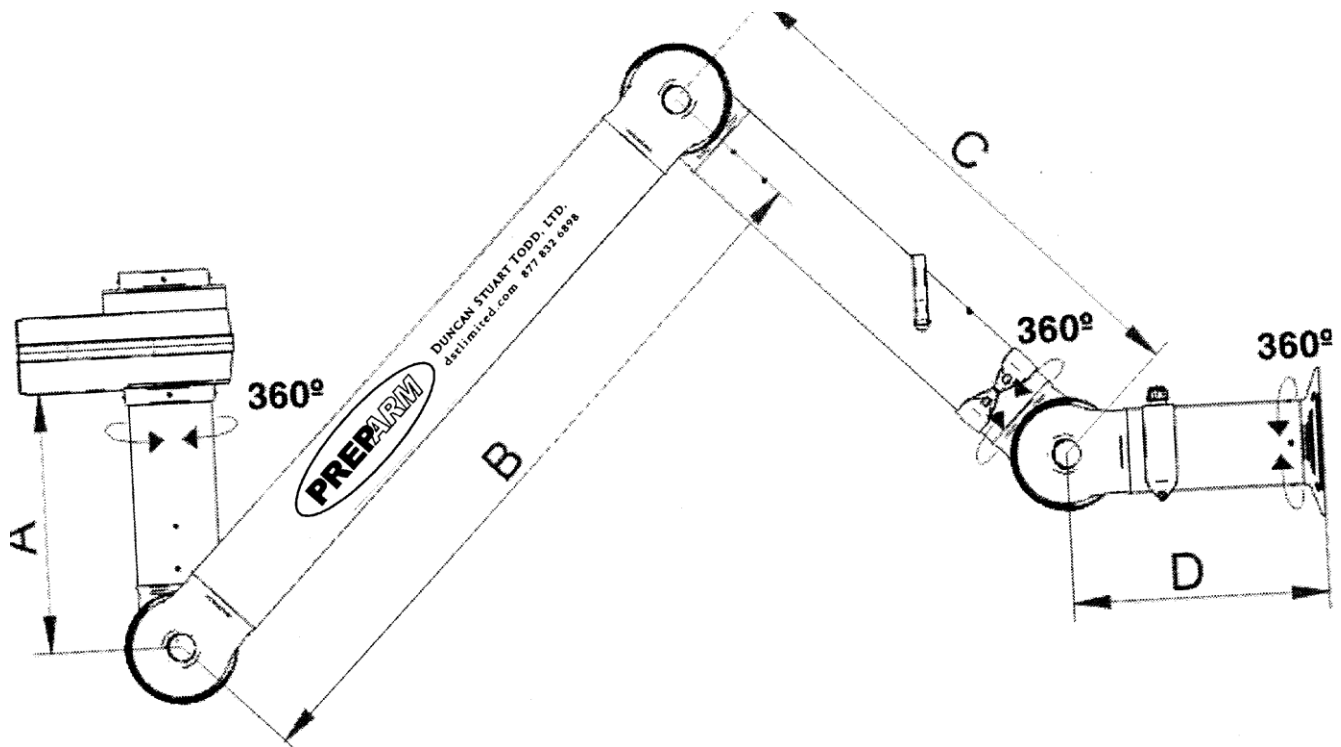
TECHNICAL INFORMATION

PrepArm Dimensional Data

DST 104, 105, 106, 107

PrepArm is a ventilating product for localized air extraction in the preparation room. It is engineered for precise "spot extraction" with variable air volume control.

The arm is designed with state-of-the-art multi-joint maneuverability that allows the embalmer almost unlimited positioning.



Diameter (in.)	Mounting Type	A (in.)	B (in.)	C (in.)	D (in.)	Length (in.)	Weight (lb.)
4	Wall, Ceiling	13	30	30	11	72	13

*All dimensions approximate.

TECHNICAL INFORMATION

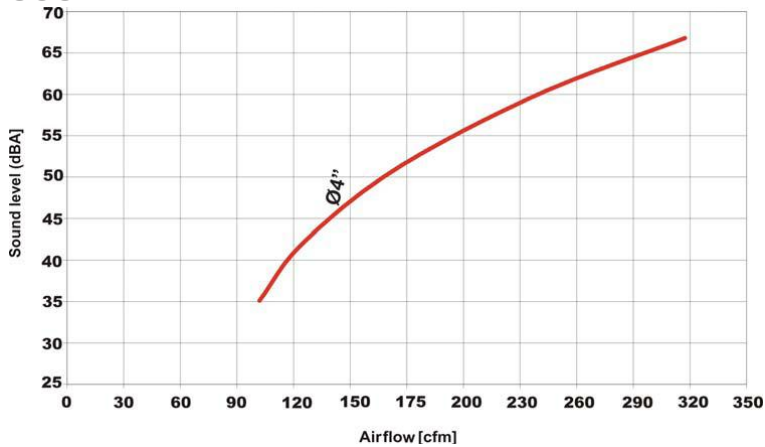
PrepArm Sound and Pressure Drop Data

DST 104, 105, 106, 107

PrepArm is a ventilating product for localized air extraction in the preparation room.

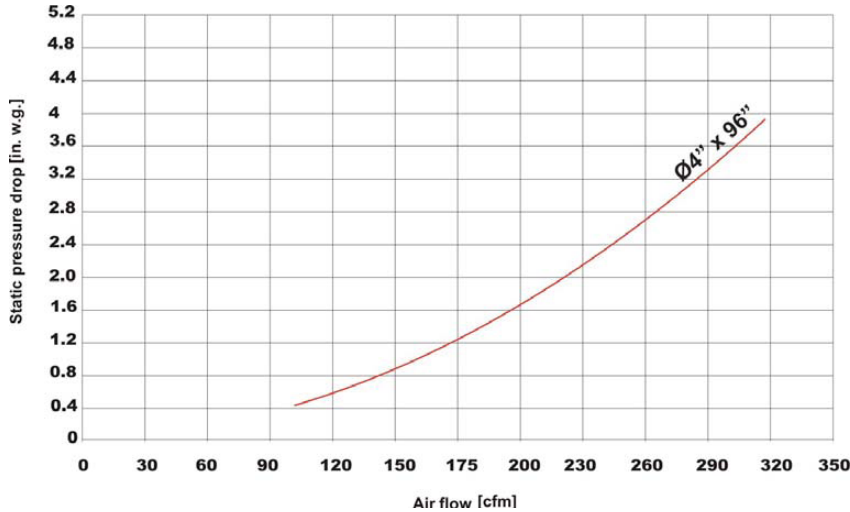
PERFORMANCE DATA

SOUND LEVEL



Position of arms when measured

PRESSURE DROP



Position of arms when measured

Recommended Airflow [cfm]	
Ø 4"	100-300